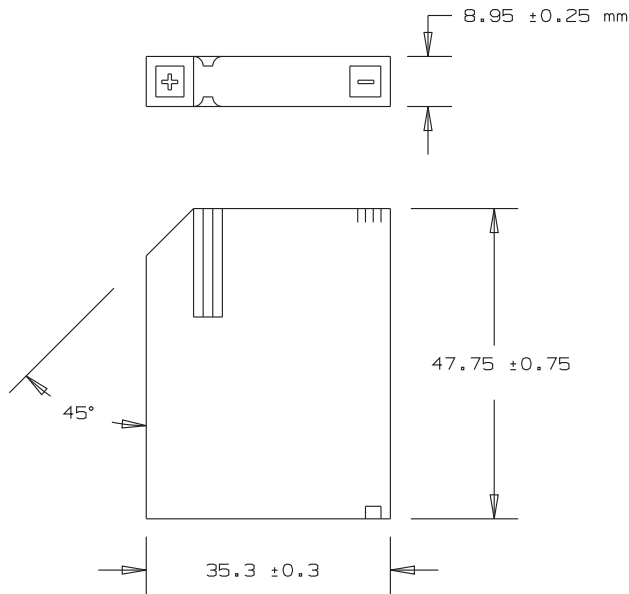




# Kodak Alkaline Battery

KJ

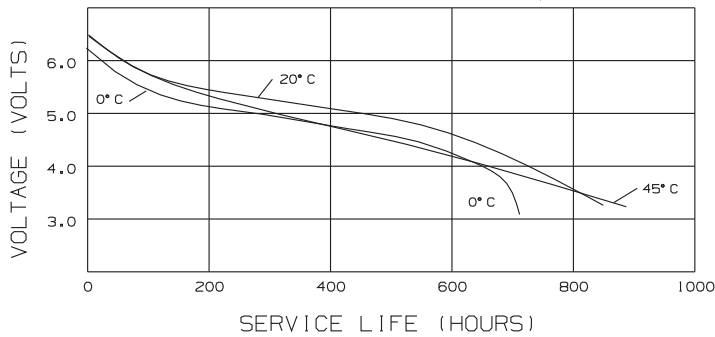
Effective : July 2003



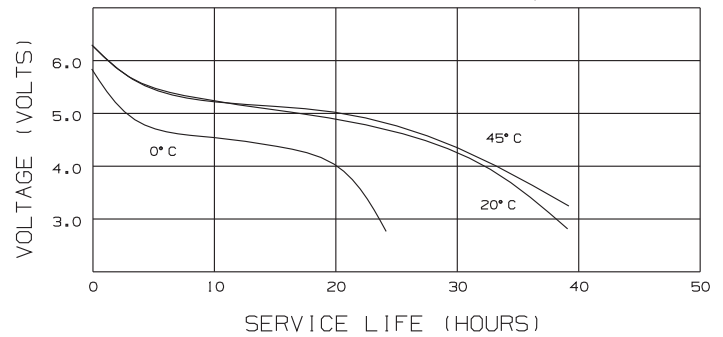
System:	Alkaline/Manganese Dioxide, Zn/MnO <sub>2</sub>
Designation:	ANSI 1412AP, IEC-4LR61
Nominal Voltage:	6.0 Volts
Capacity:	570 mAh at 6800 Ohms to 3.2 Volts
Internal Impedance:	2.00 Ohms (typical)
Temperature Range:	-20°C to 54°C Operating
Average Weight:	30 grams
Volume:	15.1 cm <sup>3</sup>
Terminals:	Flat Recessed Contacts
Jacket:	Plastic Housing / Label

NOTE: 1) No added Mercury / 99.9999% Mercury free.  
 2) No added Lead / 99.999% Lead free.  
 3) This battery complies with: ANSI C18, IEC 60086, & EEC directive 91/157 standards.

Typical Discharge Characteristics KJ  
6.8 KOhms Continuous to 3.60V



Typical Discharge Characteristics KJ  
330 Ohms Continuous to 3.60V



The following indicates the typical service life expected when discharged after storage in air at 20 ± 2°C and 65 ± 10% relative humidity:

Shelf Life Tests at 20°C	Fresh Cells	1 Year	2 Years	3 Years	4 Years	5 Years
330 Ohms Continuous to 3.6 Volts	35.0 Hrs	34.0 Hrs	32.5 Hrs	31.5 Hrs	30.0 Hrs	29.0 Hrs
6.8 KOhms Continuous to 3.6 Volts	800 Hrs	790 Hrs	780 Hrs	770 Hrs	760 Hrs	750 Hrs

The following indicates the typical service life expected when discharged at 0 ± 2°C or at 45 ± 2°C (relative humidity less than 70%):

Service Life Tests at 0°C and 45°C	0°C	45°C
330 Ohms Continuous to 3.6 Volts	23.0 Hrs	37.0 Hrs
6.8 KOhms Continuous to 3.6 Volts	700 Hrs	800 Hrs

The curves and data in this publication represent product tested under the conditions specified. They do not represent standards or specifications which must be met by Eastman Kodak Company. The company reserves the right to change and improve product characteristics at any time.

For more information, contact  
 EASTMAN KODAK COMPANY  
 343 State Street  
 Rochester, New York 14650-0811  
 1-800-242-2424  
[www.kodak.com/go/batteries](http://www.kodak.com/go/batteries)